

SONOMA

MERRYFAIR®

Seating Products



Leather Executive Chair

Inspired by the innovative and modern wine producing county in Northern California. Sonoma looks to re-interpret the traditional look of the leather executive chair. Reflecting the sophisticated yet laid back nature of this place, the simple yet elegant aesthetic was conceived to complement both classic and modern executive offices.



Backrest

Features height-adjustable lumbar support with a range of 80mm. Moulded polypropylene shells (100% recyclable) with dual density foam. Rear shell is upholstered for leather models, or in White colour (non-upholstered) for fabric models .

Seat

Depth-adjustable for a range of 60mm in swivel chair versions. Moulded polypropylene shells (100% recyclable) with 3D-moulded PU foam. The snap-fit seat pad is user replaceable.

Mechanism

A weight-sensing mechanism auto-adjust recline resistance according to user weight. The recline free-range is also adjustable from 0° to 20° in 4-steps.



Headrest

Height-adjustable for a range of 80mm. Moulded polypropylene shells (100% recyclable) with dual density foam. Rear shell is upholstered for leather models, or in White colour (non-upholstered) for fabric model.

Armrest

Diecast aluminium armrest (100% recyclable) is chrome-plated for leather models, or powder-coated in white epoxy for fabric models. Armpads are moulded of PU integral foam in black.

Base

Five-star base of diecast aluminium alloy (100% recyclable) is chrome-plated for leather models, or powder-coated in white epoxy for fabric models. Black 60mm dual wheel castors for lower rolling resistance. Cantilever base of welded 27mm diameter tubular steel (100% recyclable), finished in chrome-plating for leather models, or powder-coated in silver epoxy for fabric models.

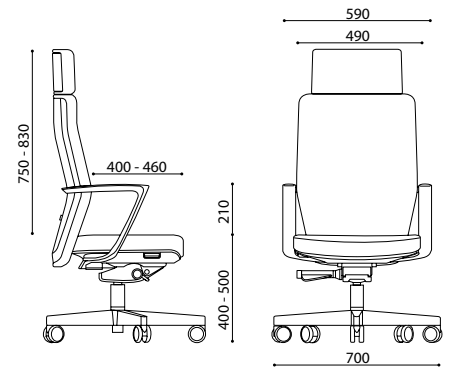




Swivel-Tiltchair with headrest
939PYKW73NW



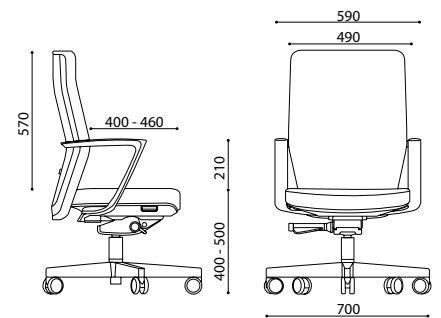
Full Leather
939ZYKC73NC



Swivel-Tiltchair
938PYKW73NW



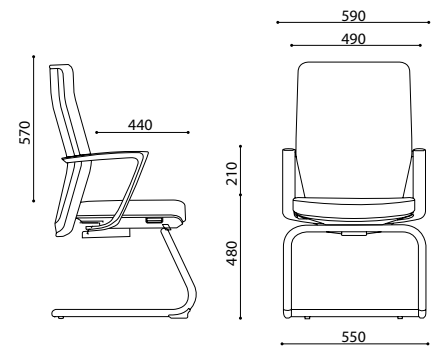
Full Leather
938ZYKC73NC



Visitor chair
931PNAW73S



Full Leather
931ZNAC73C



Sonoma: Option
Base



350 Chrome Aluminium Base
(NC)



350 White Aluminium Base
(NW)



Chrome Cantilever Base
(C)



Silver Cantilever Base
(S)

HEAD OFFICE & FACTORY

Merryfair Chair System Sdn Bhd
(Co. No. 86276-A)
No.2, Jalan Koporat 1/KU9,
Taman Perindustrian Meru,
42200 Klang, Selangor D.E., Malaysia.

International Sales & Marketing
Tel. +603 3393 2888
Fax. +603 3393 2000
enquiry@merryfair.com

Domestic Sales & Marketing
Tel. +603 3393 6868
Fax. +603 3393 6888
domestic@merryfair.com

SHOWROOM OFFICE

Merryfair Marketing Sdn Bhd
(Co. No. 665054-V)
No. 82-84, Jalan 2/23A,
Jalan Genting Kelang,
53300 Kuala Lumpur, Malaysia.
Tel. +603 4149 8899
Fax. +603 4143 0113

REGIONAL OFFICE & SHOWROOM

美力菲 (中国) 家具有限公司
广东省佛山市顺德区大良南国西路安利工业区
Merryfair (China) Co.,Ltd
Anli Industrial Area, Nan Guo Xi Lu,
Daliang, Shunde Area, Foshan City,
Guangdong Province, China 528305.
Tel. +86 757 2636 9861
Fax. +86 757 2881 9700
domestic@merryfair.com.cn

Merryfair (Singapore) Pte Ltd
33 Ubi Avenue 3, #01-52/53 Vertex,
Singapore 408868.
Tel. +65 6284 9098
Fax. +65 6284 9028
enquiry@merryfair.com.sg

Merryfair (Thailand) Co.,Ltd
Thai Samut Building
Ground Floor, 163 Surawongse Road,
Bangrak, Bangkok 10500 Thailand.
Tel. +66 2266 3855
Fax. +66 2266 3859
sales@merryfair.co.th

