

ROOKEE

MERRYFAIR®

Seating Products



Seating Excellence at Work

There were many objects in our childhood that we quickly outgrew, be it toys, clothes, and even our beds. As a parent, you are faced with the constant need to keep up with your child's development needs. ROOKEE aims to live in your household a little bit longer, as it becomes your child's growing companion from preschool to adolescence.





In this day and age of fast moving and disposable goods, ROOKEE adapts to your child's growing body, extending the life and usability of the product.

Back Shell

White injection molded polypropylene (100% recyclable). Adjustable for 7 positions.

Seat Shell

White injection molded polypropylene (100% recyclable). Seat height is adjustable by 110mm.

Footrest

Grey injection-molded polypropylene (100% recyclable). Provides sturdy foot support for smaller users.



Back Upholstery

Durable fabric upholstery over polyurethane foam on polypropylene shell. Back is removable and replaceable. Many available colors.

Arm Pad

Grey injection-molded polypropylene. (100% recyclable).

Seat Upholstery

Durable fabric upholstery over polyurethane foam on polypropylene shell. Seat is removable and replaceable. Many available colors.

Base

Durable Five star N3 base in white polypropylene (100 % recyclable).



Height / Seat Depth
Adjustable Backrest



Pneumatic Seat
Height Adjustment

Adjustability

The key feature that ROOKEE boasts is its ability to adjust the back to 7 different positions. Each adjustment changes both the back height and seat depth simultaneously; accommodating different size users. This one chair can be used by different aged siblings by simply pressing the sliding handles on the armrest.

The footrest can swivel out of the way to accommodate larger users. The ideal user range is from 4 to 14 years old, and height from 1.1 to 1.6 meters. This corresponds to the EN 1729 standard Sizemarks 2 to 5.



Flexibility

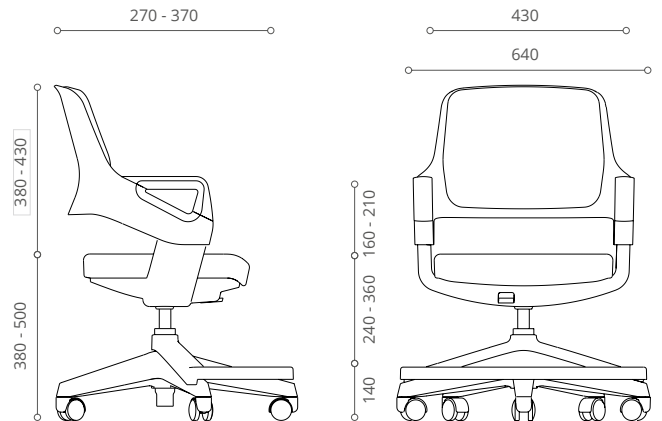
Dust bunnies have nowhere to hide! Both the back and seat pad can easily be removed for that thorough cleaning of areas where dirt gets trapped. Furthermore the upholstery can be replaced in case little Picasso creates "masterpieces" on the upholstery,



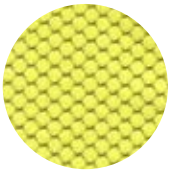
Versatile enough to withstand growing pains at home or school.



Swivel Chair 1186P NA NA N3



Rookee: Options Fabric Colors (more available)



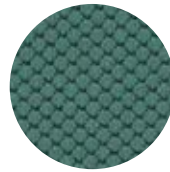
Mustard
BL410



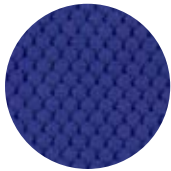
Mandarin
BL405



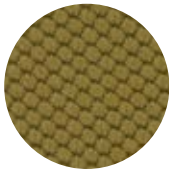
Magenta
BL401



Teal Blue
BL413



Royal Blue
BL415



Khaki
BL408



HEAD OFFICE & FACTORY

Merryfair Chair System Sdn Bhd
(Co. No. 86276-A)
No.2, Jalan Koporat 1/KU9,
Taman Perindustrian Meru,
42200 Klang, Selangor D.E., Malaysia.

International Sales & Marketing
Tel. +603 3393 2888
Fax. +603 3393 2000
enquiry@merryfair.com

Domestic Sales & Marketing
Tel. +603 3393 6868
Fax. +603 3393 6888
domestic@merryfair.com

SHOWROOM OFFICE

Merryfair Marketing Sdn Bhd
(Co. No. 665054-V)
No. 82-84, Jalan 2/23A,
Jalan Genting Kelang,
53300 Kuala Lumpur, Malaysia.
Tel. +603 4149 8899
Fax. +603 4143 0113

REGIONAL OFFICE & SHOWROOM

美力菲 (中国) 家具有限公司
广东省佛山市顺德区容桂华口顺德高新区(容桂)华天路21号
邮编: 528306
Merryfair (China) Co.,Ltd
No. 21, Huatian Road, Shunde High Tech Industrial Zone
(Ronggui), Huakou Community, Ronggui Subdistrict,
Shunde District, Foshan City, Guangdong, China 528306.
Tel. +86 757 2636 9861
Fax. +86 757 2881 9700
domestic@merryfair.com.cn

Merryfair (Singapore) Pte Ltd
33 Ubi Avenue 3, #01-52/53 Vertex,
Singapore 408868.
Tel. +65 6284 9098
Fax. +65 6284 9028
enquiry@merryfair.com.sg

Merryfair (Thailand) Co.,Ltd
Thai Samut Building
Ground Floor, 163 Surawongse Road,
Bangrak, Bangkok 10500 Thailand.
Tel. +66 2266 3855
Fax. +66 2266 3859
sales@merryfair.co.th

www.merryfair.com

