

# MOBBY

MERRYFAIR®

Seating Products





#### **Customisable Foldable Chair**

Mobby is lively, mobile and unpretentious little fella with a colourful personality. You can easily move it around for an impromptu breakout session, or store them away when you need the space for something else. Eye-catching mesh-like shells in popular colour options gives a smart look to suit all venues, from seminar rooms to cafeteria. Its versatile enough to suit educational, teaming and conference applications.

Mobby's versatility is great enough to suit educational, training and conference applications.

**Environmental**

Almost all components (up to 96% in 641FDA64H4) can be easily disassembled using normal tools and separated into 100% recyclable materials ( PP, aluminum, steel). Recycled material content is also used in manufacture where possible (up to 25% for 641FDA64H4). No PVC is used.



**Safety & Durability**

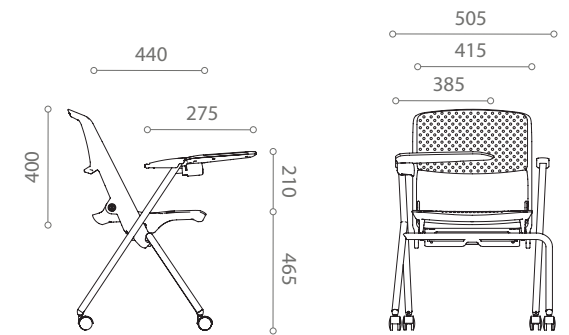
Mobby is designed and certified to BIFMA X5.1:2002 standards for durability and safety.

**Quality Specifications**

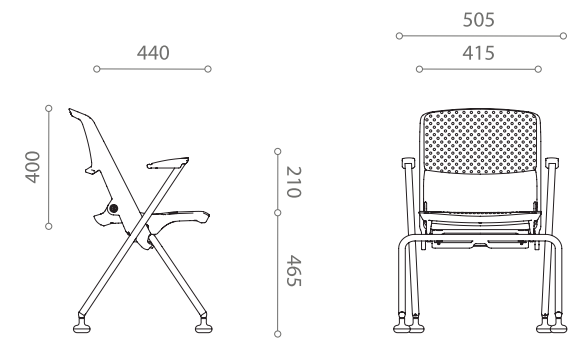
Perforated-design back shell and seat shell of polypropylene in 4 standard colour options. Optional upholstered seat or back padding will use shells in black colour.

Back frame and seat frame of polypropylene in Black. Optional upholstered seat and back padding in fabric, leather or vinyl on 20mm polyurethane foam. Worn out pads can be replaced on site, using a common screwdriver. Frame and legs of 25mm diameter tubular steel in silver epoxy powder-coat. Armcaps of polypropylene in black colour. Tablet shell in black ABS. Tablet mechanism of diecast aluminum in black powder-coat finish. Polypropylene 5-star base in Black colour. 50mm diameter dual-wheel Castors in black polyamide.

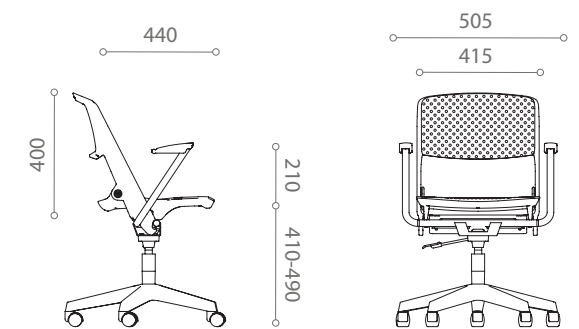
**4-leg With Castor**



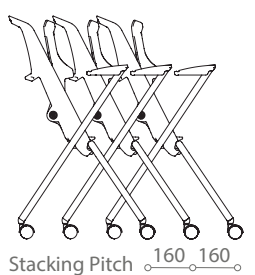
**4-leg With Stud**



**Swivel Base With Gas-Lift**



**Stacking Pitch**



**Frame Option**  
4-leg with Castor



Without Armrest  
64\_FD A00 H4



With Right Arm & Tablet  
64\_FD WR1 H4



With Armrests  
64\_FD A64 H4



With Arm & Tablet  
64\_FD AW1 H4

**Frame Option**  
Swivel Base With Gas-Lift



Without Armrest  
64\_FD A00 N3



With Right Arm & Tablet  
64\_FD WR1 N3



With Armrest  
64\_FD A64 N3



With Arm & Tablet  
64\_FD AW1 N3

**Seat & Back Options**  
Plastic Seat



Plastic Back  
641\_FD A00 H4

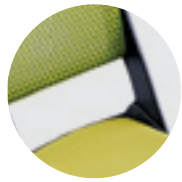


Padded Back  
642\_FD A00 H4



Mesh Back  
643\_FD A00 H4

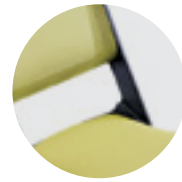
**Seat & Back Options**  
Padded Seat



Plastic Back  
644\_FD A00 H4

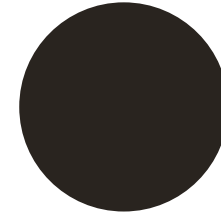


Padded Back  
645\_FD A00 H4

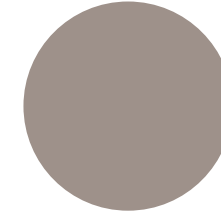


Mesh Back  
646\_FD A00 H4

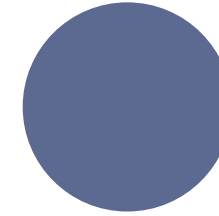
**Mobby: Options**  
PP Shell Colour



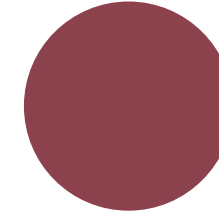
Black  
(B)



Taupe  
(T)



Blue  
(U)



Burgundy  
(D)





## HEAD OFFICE & FACTORY

### Merryfair Chair System Sdn Bhd

(Co. No. 86276-A)  
No.2, Jalan Koporat 1/KU9,  
Taman Perindustrian Meru,  
42200 Klang, Selangor D.E., Malaysia.

### International Sales & Marketing

Tel. +603 3393 2888  
Fax. +603 3393 2000  
enquiry@merryfair.com

### Domestic Sales & Marketing

Tel. +603 3393 6868  
Fax. +603 3393 6888  
domestic@merryfair.com

## SHOWROOM OFFICE

### Merryfair Marketing Sdn Bhd

(Co. No. 665054-V)  
No. 82-84, Jalan 2/23A,  
Jalan Genting Kelang,  
53300 Kuala Lumpur, Malaysia.  
Tel. +603 4149 8899  
Fax. +603 4143 0113

## REGIONAL OFFICE & SHOWROOM

### 美力菲 (中国) 家具有限公司

广东省佛山市顺德区容桂华口顺德高新区(容桂)华天路21号  
邮编: 528306  
Merryfair (China) Co.,Ltd  
No. 21, Huatian Road, Shunde High Tech Industrial Zone  
(Ronggui), Huakou Community, Ronggui Subdistrict,  
Shunde District, Foshan City, Guangdong, China 528306.  
Tel. +86 757 2636 9861  
Fax. +86 757 2881 9700  
domestic@merryfair.com.cn

### Merryfair (Singapore) Pte Ltd

33 Ubi Avenue 3, #01-52/53 Vertex,  
Singapore 408868.  
Tel. +65 6284 9098  
Fax. +65 6284 9028  
enquiry@merryfair.com.sg

### Merryfair (Thailand) Co.,Ltd

Thai Samut Building  
Ground Floor, 163 Surawongse Road,  
Bangrak, Bangkok 10500 Thailand.  
Tel. +66 2266 3855  
Fax. +66 2266 3859  
sales@merryfair.co.th

